



## GGLX-Q

RECTANGULAR SOLID SOUND ATTENUATORS

### GGLX-Q: SQUARE SILENCER WITH CIRCULAR CONNECTION

Straight square low built silencer with polymer fibre filling and with circular connection. The silencer consists of sheath and gables in sheet metal. The jacket is coated with polyester absorbent material, which is covered with a surface layer that prevents fiber penetration. The connection fits our Quadrodec range (Ø125+160mm).

### CONSTRUCTION

- With double edged gasket
  - the outer cover: galvanized sheet 0,7mm (275 zinc)
  - isolating layer: polymer fibre PET wool 25+50mm

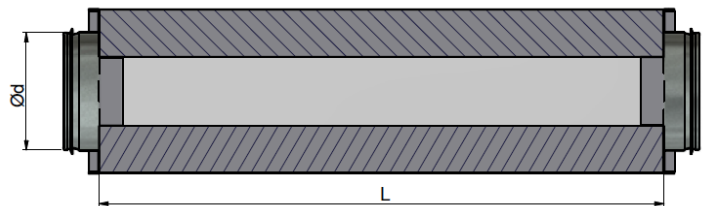
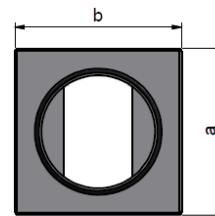
### SPECIFICATIONS

Article code:	<b>GGLX-Q{Ø}/L</b>		
Temperature range:	-30 °C to 100 °C	Standard diameter range:	100 upto 630 mm
Operating pressure:	-1500Pa up to +2000 Pa	Standard length:	600+ 900 + 1200 mm
Operating air velocity:	max. 20 m/s		

### DIMENSIONS

Connections and tolerances according EN1506 / Leakage Class C according NS-EN 15727:2010

Art. Nr.	Ød mm	a mm	b mm	L mm	Weight in kg
GGLX-Q100/0,6	100	150	150	700	2.80
GGLX-Q125/0,6	125	175	175	700	3.80
GGLX-Q160/0,6	160	210	210	700	4.00
GGLX-Q200/0,6	200	250	250	700	4.90
GGLX-Q250/0,6	250	300	300	700	6.00
GGLX-Q315/0,6	315	365	365	700	8.60
GGLX-Q400/0,6	400	450	450	700	12.00
GGLX-Q500/0,6	500	550	550	700	15.00
GGLX-Q630/0,6	630	680	680	700	20.00
GGLX-Q100/0,9	100	150	150	1000	3.80
GGLX-Q125/0,9	125	175	175	1000	5.10
GGLX-Q160/0,9	160	210	210	1000	5.50
GGLX-Q200/0,9	200	250	250	1000	6.60
GGLX-Q250/0,9	250	300	300	1000	8.00
GGLX-Q315/0,9	315	365	365	1000	11.00
GGLX-Q400/0,9	400	450	450	1000	16.00
GGLX-Q500/0,9	500	550	550	1000	19.00
GGLX-Q630/0,9	630	680	680	1000	26.00
GGLX-Q100/1,2	100	150	150	1300	4.80
GGLX-Q125/1,2	125	175	175	1300	6.30
GGLX-Q160/1,2	160	210	210	1300	6.80
GGLX-Q200/1,2	200	250	250	1300	8.30
GGLX-Q250/1,2	250	300	300	1300	10.00
GGLX-Q315/1,2	315	365	365	1300	14.00
GGLX-Q400/1,2	400	450	450	1300	20.00
GGLX-Q500/1,2	500	550	550	1300	24.00
GGLX-Q630/1,2	630	680	680	1300	33.00



#### LIABILITY:

The information contained in this brochure was current on the publication date. DEC INTERNATIONAL reserves the right to make changes in details at any time without prior notice. In order to avoid misunderstandings, any interested party is advised to contact DEC INTERNATIONAL checking for any changes in materials and/or information after this brochure was published.

#### PLEASE NOTICE:

The consultant is responsible for the actual installation and mounting of the product. The mentioned values with respect to temperatures are not appropriate to be used to determine the physical properties. These properties are also dependent on humidity and the temperature of the air inside and outside of the H.V.A.C. system.

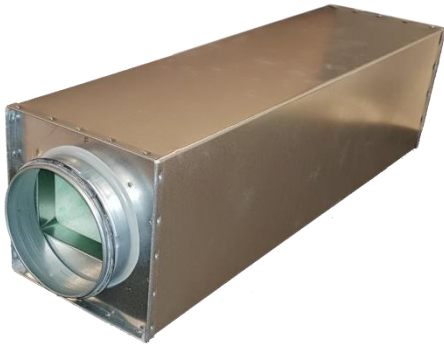
#### TRADEMARKS:

The DEC logo and DEC International are trademarks, or registered trademarks of Dutch Environment Corporation BV in the Netherlands and/or other countries.

#### RESTRICTIONS:

The GGLX ducts are not suitable for discharging combustion products from open fireplaces and oil-fired boilers. Neither are the ducts suitable for transporting air with a high concentration of acid and base.





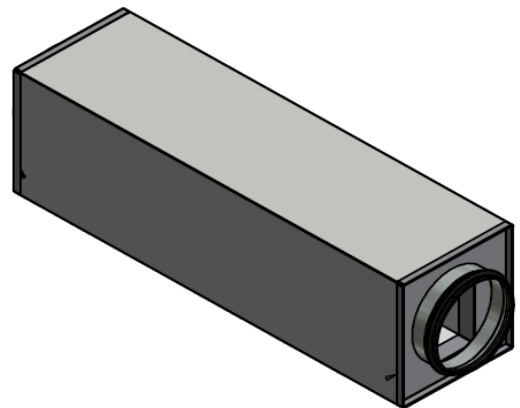
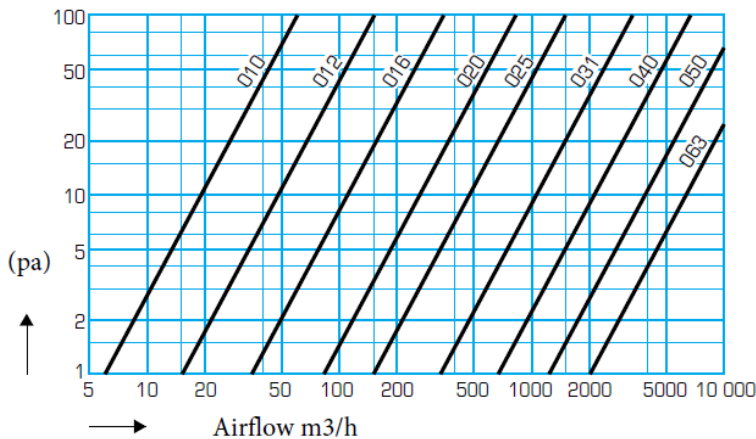
## GGLX-Q

RECTANGULAR SOLID SOUND ATTENUATORS

### Sound attenuation (dB)

Type	63 Hz	125 Hz	250 Hz	500 Hz	1k Hz	2k Hz	4k Hz	8k Hz
GGLX-Q100/0,6	5	11	14	22	38	50	50	50
GGLX-Q100/0,9	8	13	15	35	50	50	50	50
GGLX-Q100/1,2	12	16	17	43	50	50	50	50
GGLX-Q125/0,6	4	9	12	19	32	49	41	41
GGLX-Q125/0,9	6	11	13	30	48	50	45	45
GGLX-Q125/1,2	10	14	15	39	50	50	50	50
GGLX-Q160/0,6	3	7	11	17	26	39	31	31
GGLX-Q160/0,9	5	9	11	25	44	44	35	35
GGLX-Q160/1,2	8	11	13	32	50	50	39	39
GGLX-Q200/0,6	2	5	10	14	21	28	18	18
GGLX-Q200/0,9	3	6	10	20	40	38	22	22
GGLX-Q200/1,2	6	8	12	25	47	48	27	27
GGLX-Q250/0,6	1	3	8	12	15	17	6	6
GGLX-Q250/0,9	2	4	9	15	36	31	10	10
GGLX-Q250/1,2	4	6	10	17	45	46	14	14
GGLX-Q315/0,6	4	4	9	12	19	34	28	20
GGLX-Q315/0,9	6	6	11	18	36	40	32	23
GGLX-Q315/1,2	10	8	13	23	48	47	38	28
GGLX-Q400/0,6	3	3	7	10	15	25	19	12
GGLX-Q400/0,9	5	5	8	16	33	32	23	14
GGLX-Q400/1,2	9	7	9	20	40	39	27	18
GGLX-Q500/0,6	2	3	6	8	11	17	12	8
GGLX-Q500/0,9	4	4	7	13	27	23	14	10
GGLX-Q500/1,2	7	5	8	17	32	31	17	13
GGLX-Q630/0,6	2	2	5	6	7	8	3	2
GGLX-Q630/0,9	3	3	6	11	21	15	6	3
GGLX-Q630/1,2	6	4	7	13	24	23	8	5

### Pressure drop diagram



#### LIABILITY:

The information contained in this brochure was current on the publication date. DEC INTERNATIONAL reserves the right to make changes in details at any time without prior notice. In order to avoid misunderstandings, any interested party is advised to contact DEC INTERNATIONAL checking for any changes in materials and/or information after this brochure was published.

#### PLEASE NOTICE:

The consultant is responsible for the actual installation and mounting of the product. The mentioned values with respect to temperatures are not appropriate to be used to determine the physical properties. These properties are also dependent on humidity and the temperature of the air inside and outside of the H.V.A.C. system.

#### TRADEMARKS:

The DEC logo and DEC International are trademarks, or registered trademarks of Dutch Environment Corporation BV in the Netherlands and/or other countries.

#### RESTRICTIONS:

The GGLX ducts are not suitable for discharging combustion products from open fireplaces and oil-fired boilers. Neither are the ducts suitable for transporting air with a high concentration of acid and base.

