

## DSD SWIRL DIFFUSERS

AIR MANAGEMENT SYSTEMS

### PRODUCT PROPERTIES

#### Square Swirl diffusers for system ceiling with fixed blades

#### Application

Diffusers consist of fixed, rapidly arranged air control blades.

The **diffuser B** offers a high volume flow rate at low sound power levels

The **diffuser SW** generates high-quality diffuse air flow according to the principle of turbulent mixing air flow.

For air supply and exhaust in ventilation and air conditioning systems.

#### Material

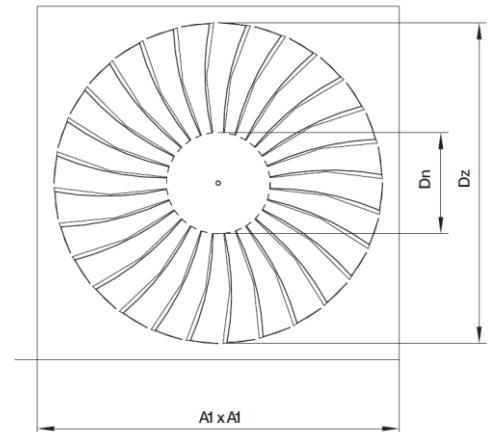
White powder coated Steel RAL9016

#### Composition

Fixed blades

Central screw mounting (Fixing by central screw in the crossbar of the plenum box)

Type	A1x A1 (mm)	Dz (mm)	Dn (mm)
<b>DSD-B-300</b>	595x595	254	84
<b>DSD-B-400</b>	595x595	336	92
<b>DSD-B-500</b>	595x595	440	150
<b>DSD-B-600</b>	595x595	530	170
<b>DSD-B-625</b>	620x620	540	170
<b>DSD-SW-600X600</b>	595x595	535	170



DSD-B-300  
DSD-B-400  
DSD-B-500  
DSD-B-600  
DSD-B-625



DSD-SW-600X600

#### LIABILITY:

The information contained in this brochure was current on the publication date. DEC INTERNATIONAL reserves the right to make changes in details at any time without prior notice. In order to avoid misunderstandings, any interested party is advised to contact DEC INTERNATIONAL checking for any changes in materials and/or information after this brochure was published.

#### PLEASE NOTICE:

The consultant is responsible for the actual installation and mounting of the product. The mentioned values with respect to temperatures are not appropriate to be used to determine the physical properties. These properties are also dependent on humidity and the temperature of the air inside and outside of the H.V.A.C. system.

#### TRADEMARKS:

DEC International and the DEC logo are trademarks, or registered trademarks of Dutch Environment Corporation BV in the Netherlands and/or other countries.





## DSD SWIRL DIFFUSERS

AIR MANAGEMENT SYSTEMS

### PRODUCT PROPERTIES

#### Square swirl ceiling diffusers with adjustable blades

#### Application

For air supply and exhaust in ventilation and air conditioning systems

#### Material

White powder coated Steel RAL9016 with black deflectors

#### Composition

- Square swirl ceiling diffuser made of steel.
- The radial black deflector blades are individually adjustable and are developed for optimal diffusion, ensuring an instant mixture of primary and secondary air.
- The first number (400) represents the dimension of the panel, the second number (16) represents the quantity of slots/blades.
- Central screw mounting (Fixing by central screw in the crossbar of the plenum box)

Type	Slots/Blades	Square (mm)
DSD-CA-300x8	8	298 x 298
DSD-CA-400x16	16	396 x 396
DSD-CA-500x24	24	498 x 498
DSD-CA-600x24	24	598 x 598
DSD-CA-625x24	24	623 x 623
DSD-CA-600x48	48	598 x 598
DSD-CA-625x48	48	623 x 623
DSD-CB-600x24	24	600 x 600



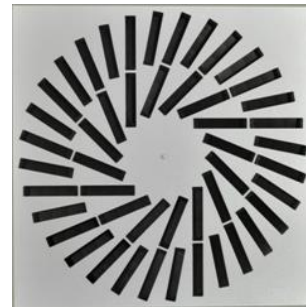
DSD-CA-300x8



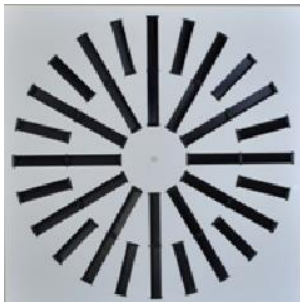
DSD-CA-400x16



DSD-CA-500x24  
DSD-CA-600x24  
DSD-CA-625x24



DSD-CA-600x48  
DSD-CA-625x48



DSD-CB-600x24

#### LIABILITY:

The information contained in this brochure was current on the publication date. DEC INTERNATIONAL reserves the right to make changes in details at any time without prior notice. In order to avoid misunderstandings, any interested party is advised to contact DEC INTERNATIONAL checking for any changes in materials and/or information after this brochure was published.

#### PLEASE NOTICE:

The consultant is responsible for the actual installation and mounting of the product. The mentioned values with respect to temperatures are not appropriate to be used to determine the physical properties. These properties are also dependent on humidity and the temperature of the air inside and outside of the H.V.A.C. system.

#### TRADEMARKS:

DEC International and the DEC logo are trademarks, or registered trademarks of Dutch Environment Corporation BV in the Netherlands and/or other countries.

