



## ISODEC 50

THERMAL INSULATED DUCTING

The **ISODEC 50** series consists of an aluminium laminate inner duct, thermally insulated with a glass wool layer and provided with an aluminium laminated outer jacket. The thermal insulation is suitable for preventing condensation and minimizing heat loss and loss of cold.

### APPLICATION

- Steam return lines
- Insulation in ventilation and air supply systems
- Air conditioning systems
- Thermic insulation in order to prevent heat loss or loss of cold
- Preventing of condensation in ventilation systems

### SPECIFICATIONS

Article code: DI50{Ø}  
 Temperature range: -30 °C to 140 °C  
 Operating pressure: up to +2500 Pa  
 Operating air velocity: max. 30 m/s  
 Min. bending radius: 0.54 x Ø + 50mm  
 Standard diameter range: 82 – 508 mm  
 Standard length: 7,5 mtr

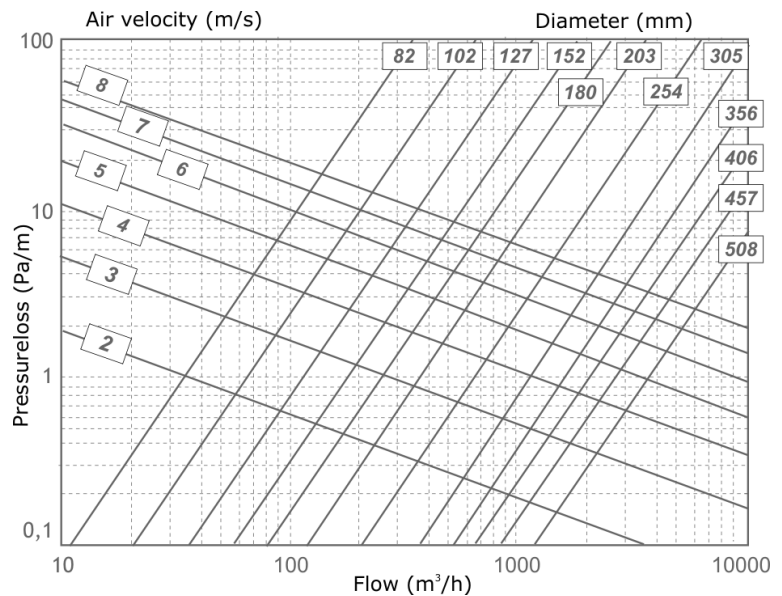
### CONSTRUCTION

Inner duct: Alu/poly laminate  
 Glass wool blanket: 50mm, 16kg/m<sup>3</sup>  
 Outer jacket: Alu/poly laminate  
 R-value glass wool: 1.3 m<sup>2</sup> K/W  
 (ASTM C177-76)  
 Appearance: Aluminium

### CLASSIFICATIONS

EU (EN 13501-1): B-s1,d0  
 FR (NF): M1  
 Marine certified MED

### PRESSURE LOSS (STRAIGHT DUCT)



**Regulation or protocol**  
 French VOC Regulation

**Conclusion**



**Version of regulation or protocol**  
 Regulation of March and May 2011  
 (DEVL1101903D and DEVL1104875A)

The **ISODEC 50** fulfills all the requirements and are classified as specified within EN 13180: *Ventilation for buildings – Ductwork - Dimensions and mechanical requirements for flexible ducts.*

The **ISODEC 50** is also available, on request, with a 25 mm glass wool layer, the article number is: DI{Ø}  
 R-value glass wool: 0.65 (25 mm) m<sup>2</sup> K/W (ASTM C177-76). Min. bending radius: 0.54 x Ø + 25mm

### Reach/RoHs Compliant

Directive 2011/65/EU RoHS  
 Phthalates according to 1907/2006/EC REACH  
 Test result: Pass - The test items meets the requirements of the test specification



### LIABILITY:

The information contained in this brochure was current on the publication date. DEC INTERNATIONAL reserves the right to make changes in details at any time without prior notice. In order to avoid misunderstandings, any interested party is advised to contact DEC INTERNATIONAL checking for any changes in materials and/or information after this brochure was published.

### PLEASE NOTICE:

The consultant is responsible for the actual installation and mounting of the product. The mentioned values with respect to temperatures are not appropriate to be used to determine the physical properties. These properties are also dependent on humidity and the temperature of the air inside and outside of the H.V.A.C. system.

### TRADEMARKS:

ISODEC, the DEC logo and DEC International are trademarks, or registered trademarks of Dutch Environment Corporation BV in the Netherlands and/or other countries.

### RESTRICTIONS:

The ISODEC ducts are not suitable for discharging combustion products from open fireplaces and oil-fired boilers. Neither are the ISODEC ducts suitable for transporting air with a high concentration of acid and base.